

SSD Fence Detail - 3

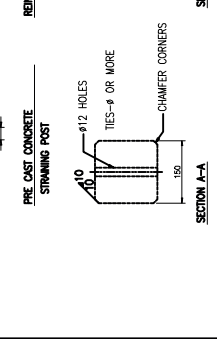
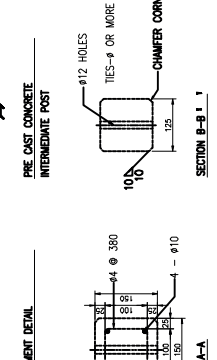
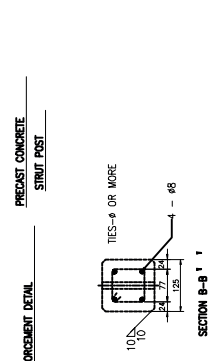
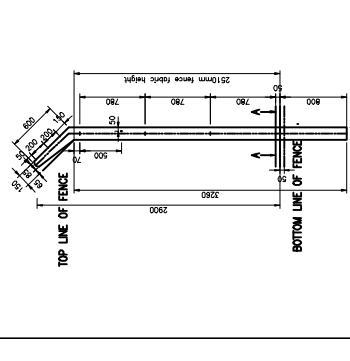
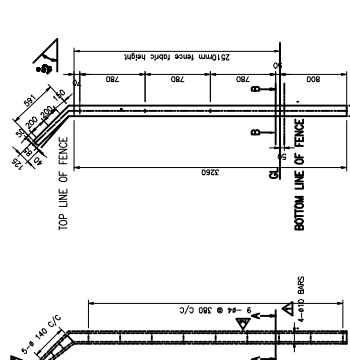
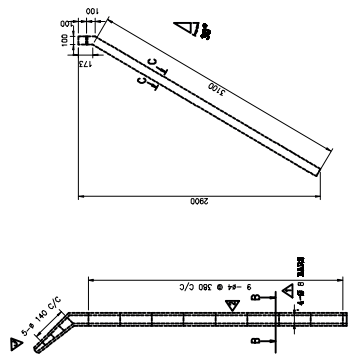
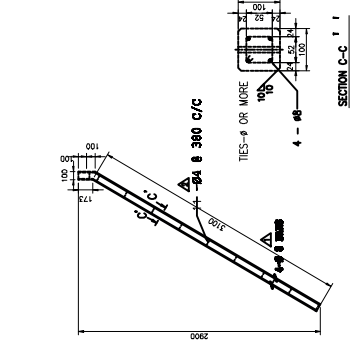
٣. تفاصيل سياج SSD

NOTES

- REVISED**
- ALL DIMENSIONS ARE IN MM U.O.S.
 - DEFORMED REINFORCEMENT REBAR IN BLACK STEEL FINISH
 - CEMENT CONCRETE TO BE OF ORDINARY PORTLAND CEMENT TYPE-1 WITH OUT MICRO SILICA ADMIXTURES.
 - FOR FENCE AND OTHER DETAILS REFER SHEET NO. 1 OF 3 & 2 OF 3

COVER TO BARS:

- 1) REIN.- NOT LESS THAN 16
- 2) ENDS.- NOT LESS THAN 25



REINFORCEMENT SCHEDULE STRUT POST				
BAR MARK	SIZE	NO	LENGTH	SHAPE
△	#8	4	3250	3075 307
△	#4	11	300	60 60

REINFORCEMENT SCHEDULE INTERMEDIATE POST				
BAR MARK	SIZE	NO	LENGTH	SHAPE
△	#8	4	3600	3100 457
△	#4	9	350	60 60
△	#4	5	270	45 60

REINFORCEMENT SCHEDULE STRAPPING POST				
BAR MARK	SIZE	NO	LENGTH	SHAPE
△	#10	4	3000	3100 457
△	#4	9	500	110 60
△	#4	5	370	60 60

MANUFACTURE

مصنع حديد وحديد التتبية العليا
Hi-Tech Fence & Steel Industries

FAX: 2814419, TEL: 2864979, 055015794, 055015795 RYAOH

TITLE SSD FENCE DETAIL 3

DESIGN: mabz	SCALE: AS SHOWN
DRAWN: zah	DATE: 13/10/2013
CHECKED: jnd	DRG. NO.:
APPROVED: jnd	GEN-HITECH-TT-001
	REV: A